

**GENERAL FEATURES**

Function : Normally closed  
 Mounting Position : Optional  
 Medium : Neutral fluids  
 Ambient Temperature : 60°C (80°C)  
 Medium Temperature : 25°C Cold water type  
 90°C Hot water type  
 Operating Pressure : 0,3 - 10 Bar  
 Flow Direction : Marked with an arrow on the housing  
 Attachments : Inlet male tread R 3/4"  
 Outlet pipe Ø 10.5mm  
 Fastening Possibilities : Bracket with M4 holes  
 (Hole distance 45mm or 56mm)  
 Quick fastener

**ELECTRICAL SPECIFICATIONS**

Voltage : 220/240 V(AC), 50/60 Hz  
 (Other types according to customer requirements)  
 Operating Rate : At Tm 25°C, 100%  
 At Tm 90 °C, 3min./5min.  
 Power Input : 7 W  
 Attachments : Faston A 6,3 x 0,8 according to DIN 46244  
 Appliance Classification : II according to VDE 0730, VDE EN 60730

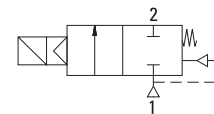
**MATERIALS**

Housing : PA 6.6, 30% GF  
 Core Holder : PA 6.6, 30% GF  
 Coil Casing : Electrical and thermal insulation, self-est. PP (UL94 V2)  
 Core and Spring : Stainless steel  
 Diaphragm, Flow Regulator and Rubber Cap: EPDM rubber, NBR rubber  
 Filter : POM  
 Copper-Lacquer Wire : Insulation classification F according to VDE 0530

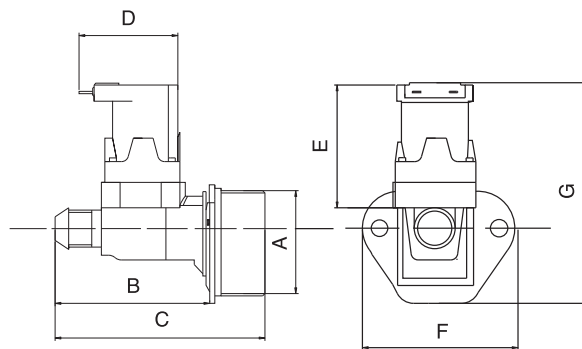
**APPROVAL**

All General Types : VDE

**Normally Closed**



S8710 / S8770 / S8780 (N.C)



Dimensions (mm)

A	B	C	D	E	F	G
1"	68	88	45	46	55	70

Valve Type / Order no	New Valve Type / Order no	Connection Size	Orifice size	Pressure		KV	Fluid Temperature		Seal	Weight
				min	max		min	max		
T-PL2 / T-PLM2 T-PLN2	S8710 / S8770 S8780	G	mm	bar	bar	lt/min	°C			(kg)
T-PL2 102	S8710.04	3/4" inlet Ø10.5 outlet with bracket	10	0.3	10	26	-10	140	EPDM	0.1
T-PLM2 102	S8770.04		10	0.3	10	26	-10	140	EPDM	0.1
T-PLN2 102	S8780.04		10	0.3	10	26	-10	140	EPDM	0.1